

# SLIP RING COLLECTOR TX4819 series

## + EX Slip Ring

For Surface and Subsea Umbilical  
Winches Stainless Steel IP66 Housing  
Gas Purge Option  
300 Amp 3300 Volt Rings

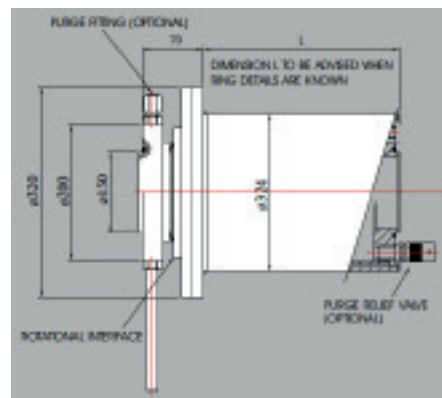
### OPTIONS

- Drive and mounting arrangement to suit Customer's requirements
- Gas purged
- Oil filled pressure compensated
- Cable hose adaptors
- Junction box
- Gas / Fluid Swivel (inert gases only)
- Fibre Optic Rotary Joint



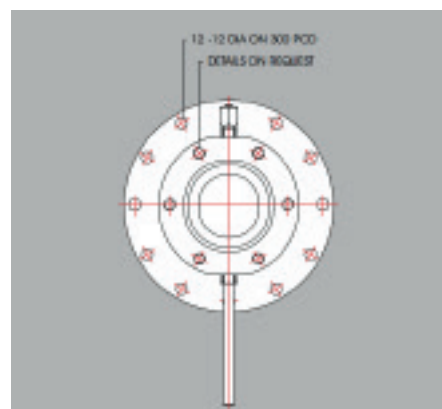
### OPERATING SPECIFICATIONS

Ambient Temperature Range	-20°C to +45°C (increased range available)
Maximum Speed	40 rpm (higher on request)
Maximum Voltage	6600V ac (higher on request)
Maximum Throughput Current	300 Amps/Ring (higher on request)
Number of Rings	Up to 200 (dependent on current)



### TECHNICAL DETAILS

Connections	Factory fitted flying leads or cost option plug and socket connectors
Flying Leads	Non PVC Insulated 3m long as standard
External Materials	Stainless Steel
Bearings	Sealed for life ball journal
Slip Rings	Phosphor bronze (precious metal plated for signals)
Brushes	Copper graphite for power, silver graphite for signals
Fasteners	Stainless steel metric



## PENLINK



Solid Project Management



Engineering & Product Design



Simulation & Design Verification



Customized Design & Integrated Solutions



Assembly & Testing



Cutting-edge Technology



Value-added Products & Services



Commercial Off The Shelf Products