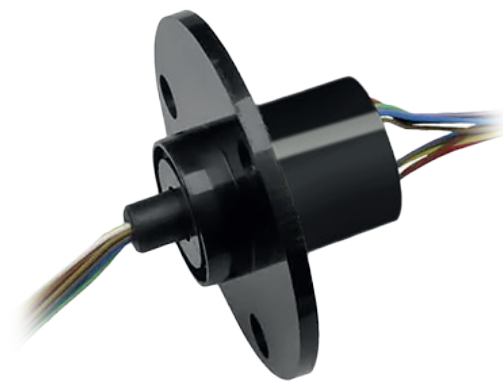


# SRC018 SERIES

+ Compact capsule



## SRC018 Standard

Slip rings can be used in any system requiring the transmission of electrical and/or power signals to an intermittently or continuously rotating shaft. Thanks to the small ring diameter, the SRC series grants low peripheral speed between brushes and rings, as well as reduced dynamic imbalance what means very low wear. The use of noble metals (gold to gold alloy) assures long lifetime with low resistance, low electrical noise and low interference between circuits.

The very low electrical noise makes the SRC series suited to transmission of critical signals, such as high frequency signals (video, field buses) and weak signals (strain gages, thermocouples, measuring equipment). Versions with up to 6 A or 10 A circuits are available.

Designed for a flexible, cost-effective and reliable solution, these units are available in many standard configurations using 6 to 12 circuits. The compact size allows installation into small systems with high performance requirements.

We can also offer custom designs. As a customer you have the possibility to specify the slip ring to comply with your needs. We can also offer hybrid units, for example a combined slip ring and fiber optic rotary joint, integrated into one small housing. Other options we can offer are inclusion of coax and miniature data bus cables and harnessing of lead wires into chosen crimps and connectors

**PRODUCT FEATURES**

- Compact size.
- Quick delivery.
- Low cost.
- Ideal for video and digital signals.
- Gold alloy rings and brushes.
- High reliability and duration.
- Low friction torque.
- Smooth rotation.
- In compliance with CE and ROHS standards.

**APPLICATIONS**

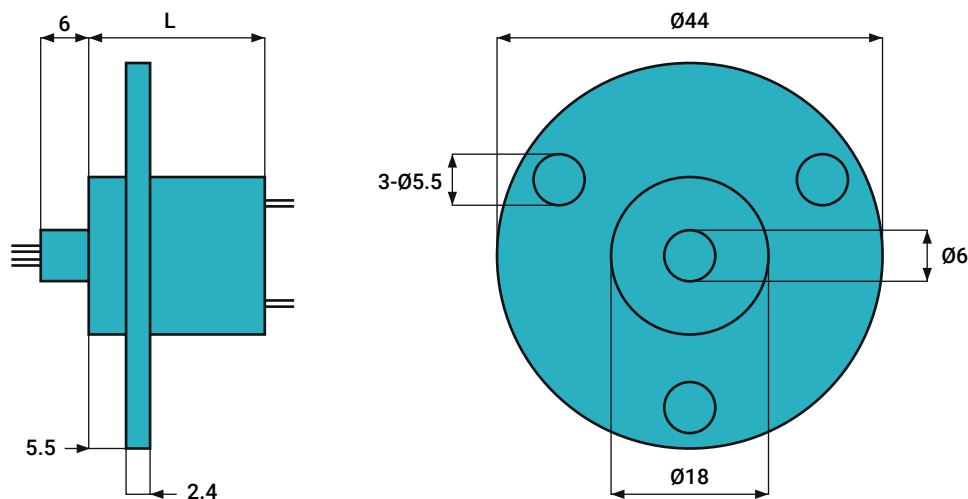
- Video Systems.
- Robotics.
- Hose & cable reels.
- Medical / Pharmaceutical.
- Wind turbines.
- Packaging.

**TECHNICAL SPECIFICATIONS**

<b>Number of circuits</b>	6, 12, 14
<b>Voltage</b>	240 VDC / 240 VAC max
<b>Cables/Current rating</b>	silver plated - PTFE insulation and colour coded 2 A: AWG26 or AWG28 6 A: AWG20; 10 A: AWG16
<b>Cable length</b>	250 mm. standard (other lengths on demand)
<b>Dielectric strength</b>	500 VAC at 60 Hz
<b>Insulation resistance</b>	> 1000 MΩ / 500 Vcc
<b>Noise</b>	< 100 mΩ at 6 Vcc and 50 mA (at 5 rpm)
<b>Nominal speed</b>	250 rpm (for higher speed up to 600 rpm please contact us)
<b>Temperature</b>	-20°C to +80°C (option: -40 to +80°C on AL housing)
<b>Rating life</b>	10 <sup>8</sup> revolutions (depending on speed and on environmental conditions)
<b>Contact</b>	Gold on Gold
<b>Protection</b>	IP51 or high or request

# SRC018 SERIES

+ Standard



Model	No. of Circuits				Dimensions		Housing
	Total	Singals	Power		Outside Ø	L (mm)	
		1-2A	6A	8A			
SRC018-6	6	6	-	-	12.4	14	ABS
SRC018-12	12	12	-	-	12.4	19,5	ABS
SRC018-14	14	14	-	-	12.4	23	ABS

LEAD COLOR CODE

SRC012-6	1.RED	2.YEL	3.BLK	4.BLU	5.GRN	6.WHT
SRC012-12	1.RED	2.GRN	3.YEL	4.PUP	5.GRY	6.BLK
	7.BLU	8.DBLU	9.BRN	10.ORN	11.WHT	12.KHK

TRANSMISSION OF

**Electric**

Singals

**Fieldbus**

EtherCAT

Profinet

Sercos

Powerlink

Ethernet

**Fluidic**

Air

Oil

Water

CUSTOMIZATIONS

Cabels

Materials

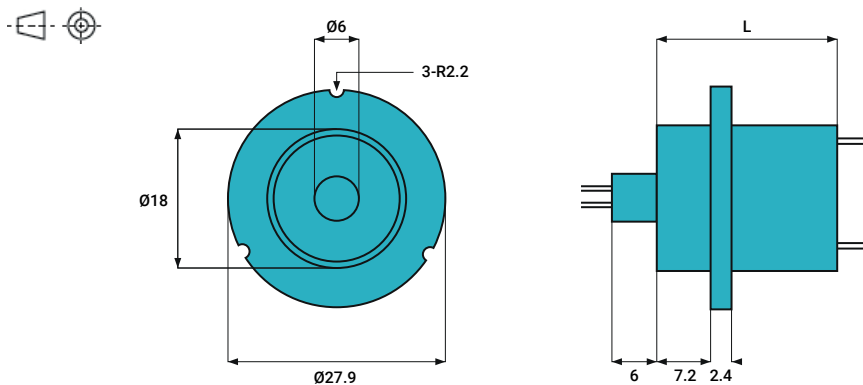
Mechanical design

Flange

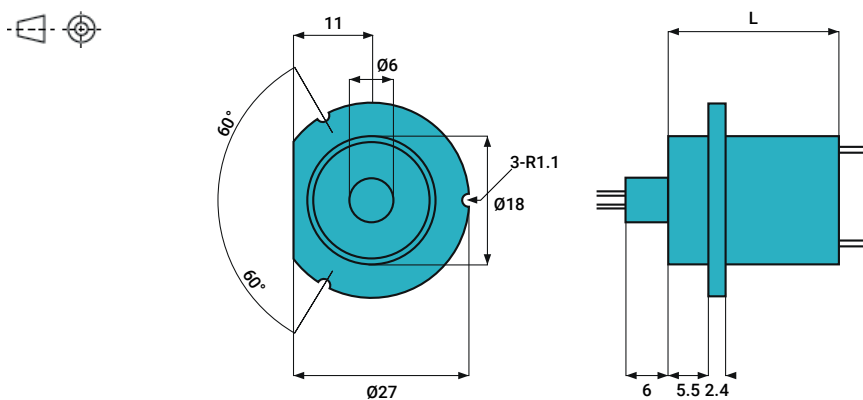
# SRC018 SERIES

+ SRC018 Models

A1 MODEL SRC018A1  
OUTLINE DIMENSIONS



B MODEL SRC018B  
OUTLINE DIMENSIONS



No. of Circuits	Slip Ring Length (L)	Model number
6	15.9 mm	SRC012-6
12	23.7 mm	SRC012-12

\*Please note that all dimensions can be modified upon customers request.