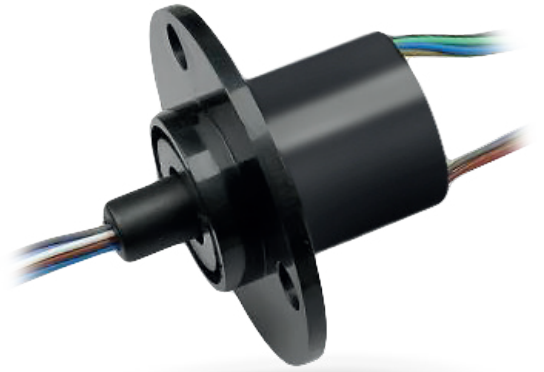


SRC022 SERIES

+ Compact capsule



SRC022 Standard

Slip Rings can be used in any system requiring the transmission of electrical and/or power signals to an intermittently or continuously rotating shaft. Thanks to the small ring diameter, the SRC Series, grants low peripheral speed between brushes and rings, as well as reduced dynamic imbalance what means very low wear. Moreover, the use of noble metals (gold to gold alloy) assures long lasting using life, reduced electric noise and interferences among circuits, low contact electric resistance.

The above features make the SRC Series specially suited to transmission of critical signals, such as hi frequency signals (video, field buses, etc.), very low currents and voltages (strain gages, thermocouples, measuring equipment etc.), even if versions with up to 6A and 10A circuits are available.

Conceived to deliver a flexible, cost-effective, reliable and hi-quality solution, These units are available in many standard configurations and with 6 to 56 circuits. Their compact size allows installation into small systems thus requiring high performances.

We can offer a wide variety of special designs other then shown. Customer has the possibilities to customize a slip ring to comply with their specific needs. We can also offer hybrid units which means we can offer combination of slip ring and fiber optic rotary joint integrated into one housing in a small package. Other options we can offer are inclusion of coax and miniature data bus cables, xustom harnessing and ermination of lead wires into chosen crimps and connectors.

PRODUCT FEATURES

- Compact size.
- Quick delivery.
- Low cost.
- Ideal for video and digital signals.
- Gold alloy rings and brushes.
- High reliability and duration.
- Low friction torque.
- Smooth rotation.
- In compliance with CE and ROHS standards.

APPLICATIONS

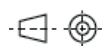
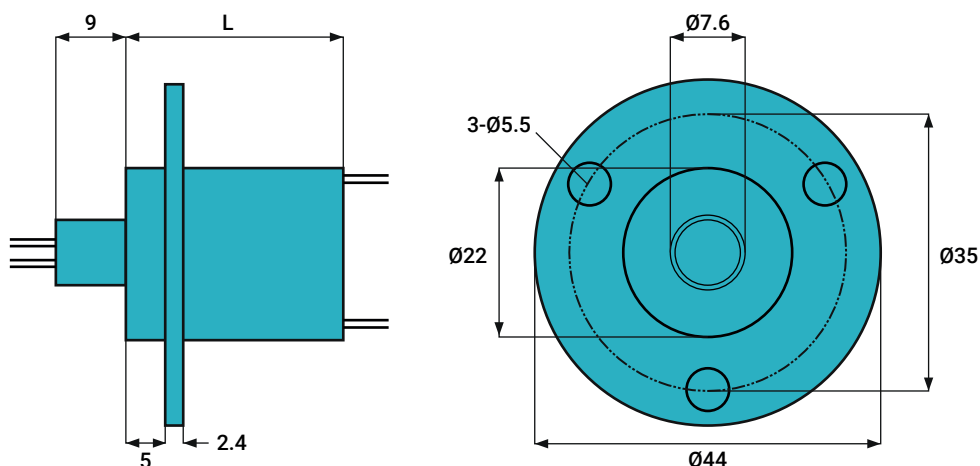
- Video Systems.
- Robotics.
- Hose & cable reels.
- Medical / Pharmaceutical.
- Wind turbines.
- Packaging.

TECHNICAL SPECIFICATIONS

Number of curcuits	6, 12, 18, 24, 36
Voltage	240 VDC / 240 VAC max
Cables/Current rating	Silver plated - PTFE insulation and colour coded 2 A: AWG26 or AWG28 6 A: AWG20; 10 A: AWG16
Cable length	250 mm. standard (other lengths on demand)
Dielectric strength	500 VAC at 60 Hz
Insulation resistance	> 1000 MΩ / 500 Vcc
Noise	< 100 mΩ at 6 Vcc and 50 mA (at 5 rpm)
Nominal speed	250 rpm (for higher speed up to 600 rpm please contact us)
Temperature	-20°C to +80°C (option: -40 to +80°C on AL housing)
Rating life	10 ⁸ revolutions (depending on speed and on environmental conditions)
Contact	Gold on Gold
Protection	IP51 or high or request

SRC022 SERIES

+ Standard



Model	No. of Circuits				Dimensions		Housing
	Total	Singals	Power		Outside Ø	L (mm)	
		1-2A	6A	8A			
SRC022-6	6	6	-	-	22	19	ABS
SRC022-12	12	12	-	-	22	28	ABS
SRC022-15	15	15	-	-	22	29.5	ABS
SRC022-18	18	18	-	-	22	33.4	ABS
SRC022-24	24	24	-	-	22	41.2	ABS
SRC022-36	36	36	-	-	22	56.8	ABS

LEAD COLOR CODE	SRC012-6					
	1.RED	2.YEL	3.BLK	4.BLU	5.GRN	6.WHT
	SRC012-12					
	1.RED	2.GRN	3.YEL	4.PUP	5.GRY	6.BLK
7.BLU	8.DBLU	9.BRN	10.ORN	11.WHT	12.KHK	
SRC012-18						
1.RED	2.GRN	3.YEL	4.PUP	5.GRY	6.BLK	
7.BLU	8.DBLU	9.BRN	10.ORN	11.WHT	12.KHK	
13.WHT RED	14.WHT BLK	15.WHT BLU	16.WHT PUP	17.WHT BRN	18.WHT GRN	
SRC012-24						
1.RED	2.GRN	3.YEL	4.PUP	5.GRY	6.BLK	
7.BLU	8.DBLU	9.BRN	10.ORN	11.WHT	12.KHK	
13.WHT RED	14.WHT BLK	15.WHT BLU	16.WHT PUP	17.WHT BRN	18.WHT GRN	
19.WHT ORN	20.WHT YEL	21.WHT GRY	22.BLK RED	23.BLK BLU	24.YEL GRN	

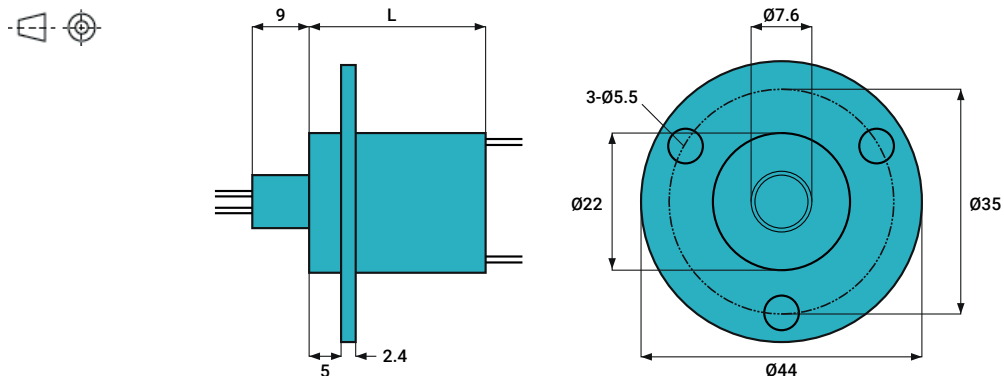
- TRANSMISSION OF**
- Electric**
 - Singals
 - Fieldbus**
 - EtherCAT
 - Profinet
 - Sercos
 - Powerlink
 - Ethernet
 - Fluidic**
 - Air
 - Oil
 - Water

- CUSTOMIZATIONS**
- Cabels
 - Materials
 - Mechanical design
 - Flange

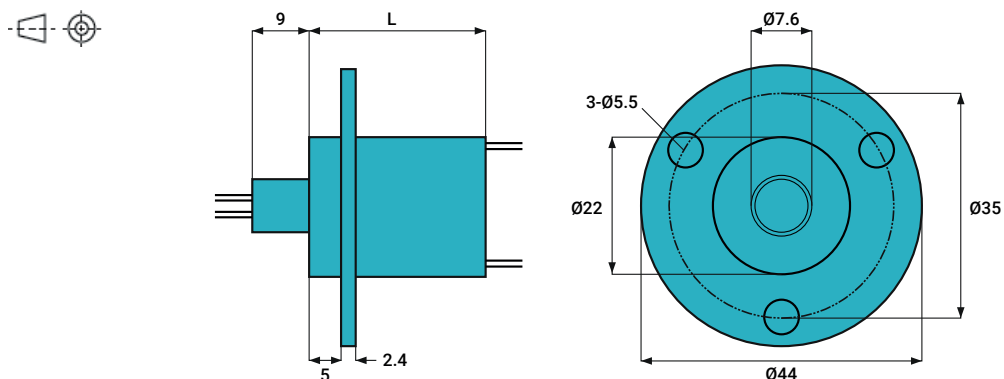
SRC022 SERIES

+ SRC022 Models

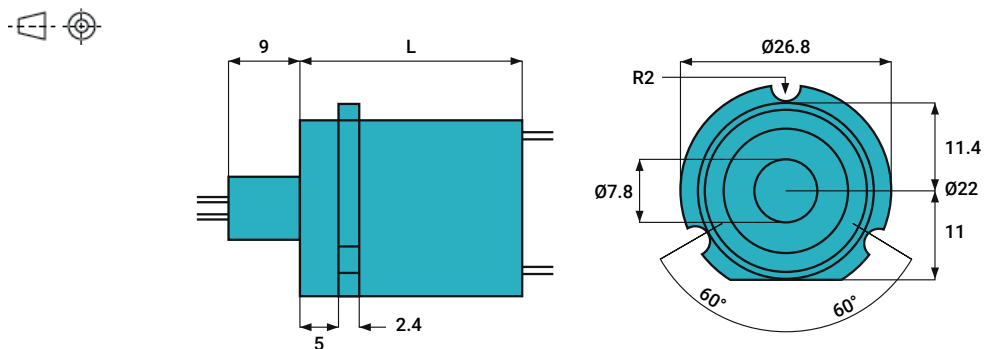
MODEL SRC022
OUTLINE DIMENSIONS



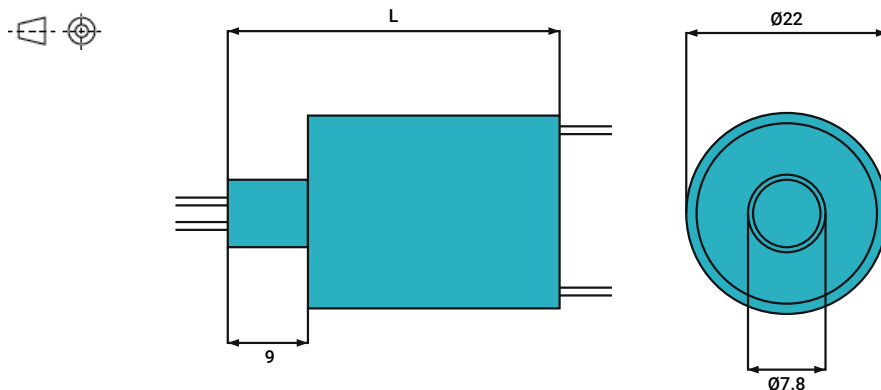
A MODEL SRC022A
OUTLINE DIMENSIONS



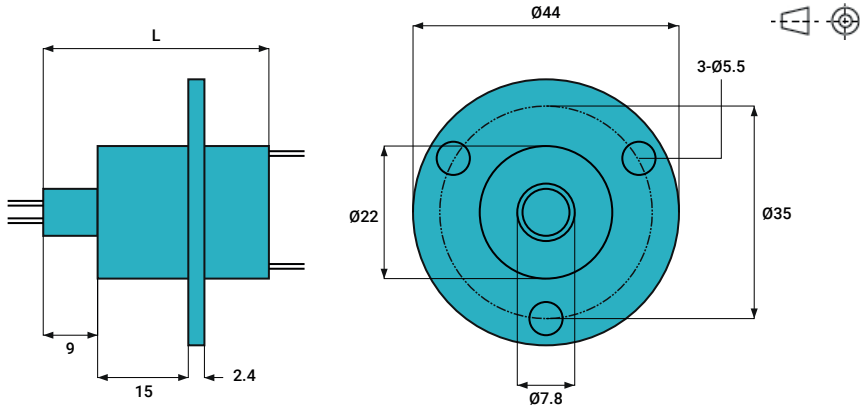
B MODEL SRC022B
OUTLINE DIMENSIONS



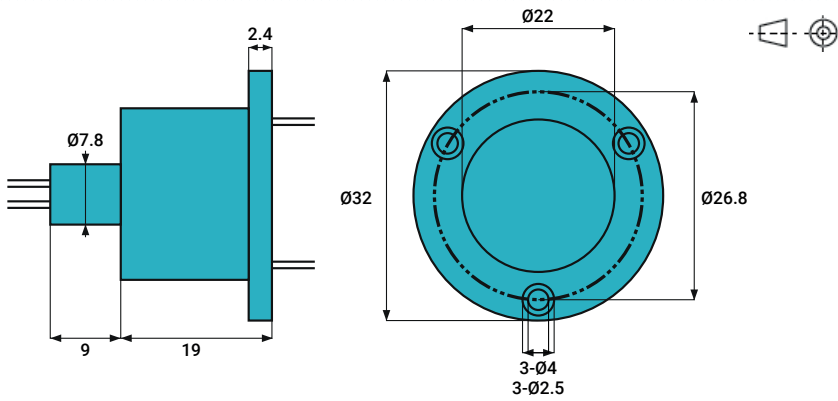
C MODEL SRC022C
OUTLINE DIMENSIONS



D MODEL SRC022D
OUTLINE DIMENSIONS



E MODEL SRC022E
OUTLINE DIMENSIONS



No. of Circuits	Slip Ring Length (L)	Model number
6	19 mm	SRC022-6
12	28 mm	SRC022-12
15	29.5 mm	SRC022-15
18	33.4 mm	SRC022-18
24	41.2 mm	SRC022-24

*Please note that all dimensions can be modified upon customers request.