

SRC025 SERIES

+ Compact capsule



SRC025 Standard

Slip Rings can be used in any system requiring the transmission of electrical and/or power signals to an intermittently or continuously rotating shaft. Thanks to the small ring diameter, the SRC Series, grants low peripheral speed between brushes and rings, as well as reduced dynamic imbalance what means very low wear. Moreover, the use of noble metals (gold to gold alloy) assures long lasting using life, reduced electric noise and interferences among circuits, low contact electric resistance.

The above features make the SRC Series specially suited to transmission of critical signals, such as hi frequency signals (video, field buses, etc.), very low currents and voltages (strain gages, thermocouples, measuring equipment etc.), even if versions with up to 6A and 10A circuits are available.

Designed for a flexible, cost-effective and reliable solution, these units are available in many standard configurations using 6 to 56 circuits. The compact size allows installation into small systems with high performance requirements.

COAX: Can be combined with RG178 50 Ω and RG170 75 Ω .

We can offer a wide variety of special designs other then shown. Customer has the possibilities to customize a slip ring to comply with their specific needs. We can also offer hybrid units which means we can offer combination of slip ring and fiber optic rotary joint integrated into one housing in a small package. Other options we can offer are inclusion of coax and miniature data bus cables, xustom harnessing and ermination of lead wires into chosen crimps and connectors.

PRODUCT FEATURES

- Compact size.
- Quick delivery.
- Low cost.
- Ideal for video and digital signals.
- Gold alloy rings and brushes.
- High reliability and duration.
- Low friction torque.
- Smooth rotation.
- In compliance with CE and ROHS standards.

APPLICATIONS

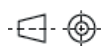
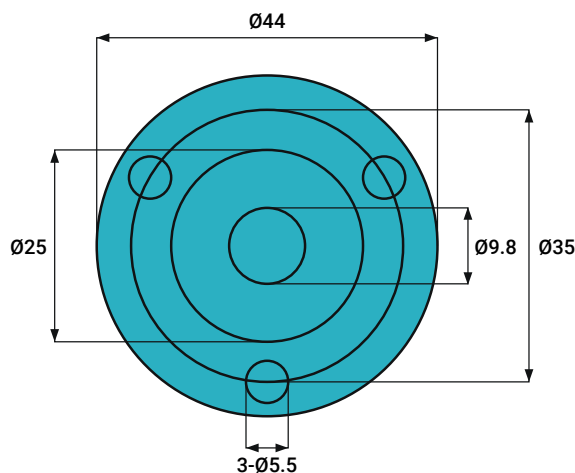
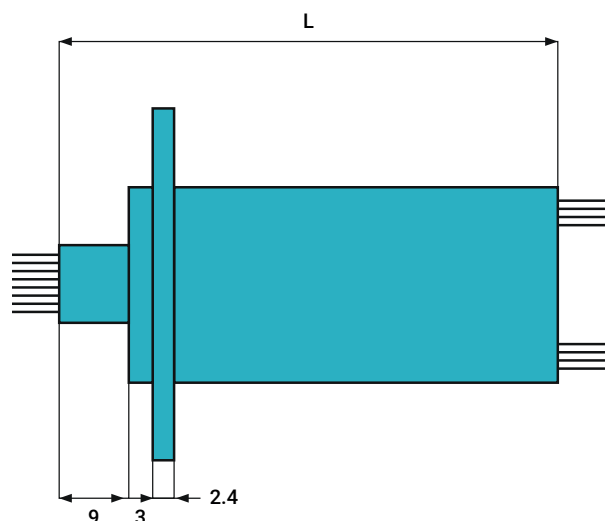
- Video Systems.
- Robotics.
- Hose & cable reels.
- Medical / Pharmaceutical.
- Wind turbines.
- Packaging.

TECHNICAL SPECIFICATIONS

Number of curcuits	30, 36, 46, 56
Voltage	240 VDC / 240 VAC max
Cables/Current rating	Silver plated - PTFE insulation and colour coded 2 A: AWG26 or AWG28 6 A: AWG20; 10 A: AWG16
Cable length	250 mm. standard (other lengths on demand)
Dielectric strength	1000 VAC at 60 Hz
Insulation resistance	500 VAC at 60 Hz; > 1000 M Ω / 500 Vcc
Nominal speed	250 rpm
Temperature	-20°C to +80°C
Rating life	10 ⁸ revolutions (depending on speed and on environmental conditions)
Contact	Gold on Gold / Silver on Silver
Protection	IP51 or high or request

SRC025 SERIES

+ Standard



Model	No. of Rings				RG178	RG179
	Total	2A	6A	10A		
SRC025-30	30	30	-	-	-	-
SRC025-30-4P/18S	22	18	4	-	-	-
SRC025-30-3P/15S	18	15	-	3	-	-
SRC025-36	36	36	-	-	-	-
SRC025-36-4P/24S	28	24	4	-	-	-
SRC025-36-4P/22S-2RG178	26	20	4	-	2	-
SRC025-46	46	46	-	-	-	-
SRC025-46-4P/24S	30	24	-	4	-	-
SRC025-46-4P/22S-2RG179	28	22	-	4	-	2
SRC025-56	56	56	-	-	-	-
SRC025-56-4P/44S	48	44	4	-	-	-
SRC025-56-4P/42S-2RG178	48	42	4	-	2	-

No. of Circuits	Slip Ring Length (L)	Model number
6	19 mm	SRC022-6
12	28 mm	SRC022-12
15	29.5 mm	SRC022-15
18	33.4 mm	SRC022-18
24	41.2 mm	SRC022-24

TRANSMISSION OF

Electric

Singals

Fieldbus

EtherCAT

Profinet

Sercos

Powerlink

Ethernet

Fluidic

Air

Oil

Water

CUSTOMIZATIONS

Cabels

Materials

Mechanical design

Flange