



PSH-X12 STANDARD HOLLOW SHAFT

Slip rings can be used in any electromechanical system requiring unrestrained, continuous rotation, while transmitting power and/or data from a stationary to a rotating structure. A slip ring is sometimes referred to as a rotary electrical interface, collector, swivel or rotary joint.

The PSH-X Series uses multiple contact point technology, allowing for low contact electric resistance between brushes and ring. This reduces electrical noise and the slip ring gets a longer lifetime. No lubrication required.

We can also offer modified design. As a customer you have the possibility to specify the slip ring to comply with your needs. We can also offer hybrid units, for example a combined slip ring and fiber optic rotary joint, integrated into one small housing. Other options we can offer inclusion of coax and miniature data bus cables, harnessing of lead wires into chosen crimps and connectors.

TECHNICAL SPECIFICATION

| | |
|-----------------------|--|
| Rated Voltage | 240VAC/VDC |
| Cable Size | AWG22 silver plated, PTFE insulated |
| Insulation Resistance | $\geq 500\text{M}\Omega/500\text{VDC}$ |
| Number Of Circuits | 6-24 |
| Rated Current | 5A |
| Cable length | Standard 500mm |
| Dielectric Strength | 500VAC/50Hz, 60s |
| Noise | $\leq 10\text{m}\Omega$ |
| Operation Speed | 0~400rpm |
| Temperature | -20°C to +80°C |
| Contact | Precious metal |
| Protection | IP51 or higher on request |

PRODUCT FEATURES

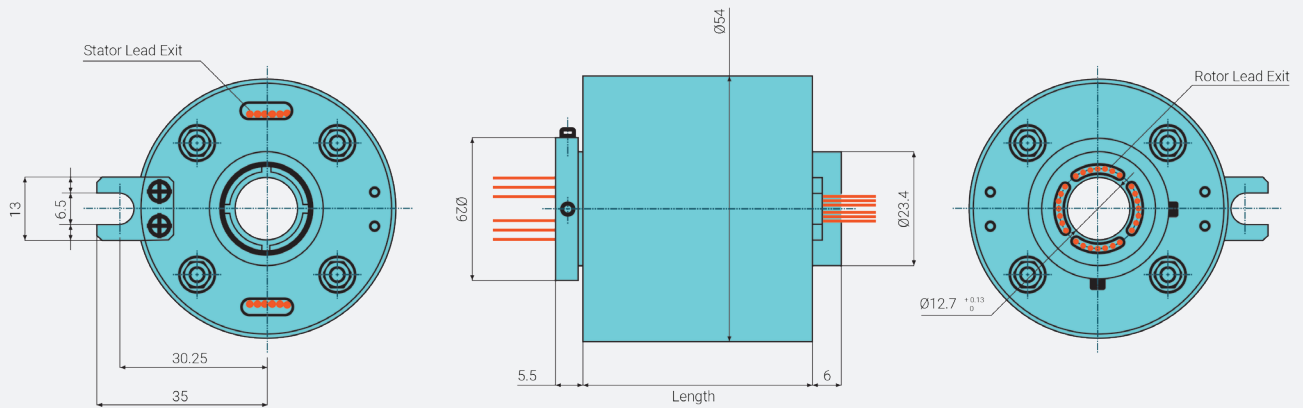
- Quick Delivery
- Low Cost
- Ideal For Video & Digital Signals
- Gold Alloy Rings & Brushes
- High Reliability
- Low Friction Torque
- Smooth Rotation
- In Compliance With Ce & Rohs Standards

APPLICATIONS

- Cable reels
- Medical equipment
- Packaging machines

STANDARD MODEL PSH-X12

OUTLINE DIMENSIONS



| Model | No. Of Circuits | | Length |
|------------|-----------------|----|---------|
| | Total | 5A | |
| PSH-X12-6 | 6 | 6 | 33.8 mm |
| PSH-X12-12 | 12 | 12 | 47.3 mm |
| PSH-X12-18 | 18 | 18 | 61.6 mm |
| PSH-X12-24 | 24 | 24 | 75.7 mm |

MODIFY ACCORDING TO YOUR NEEDS

Our standard range of slip ring can be modified to suit your applications requirement. It is possible to modify the current capacity and signal type through the slip ring, or integrate the electrical slip ring with optical or fluid rotary joint, or why not integrate the slip ring with an angle transducer, or modify the slip ring with mechanical flanges and connectors.

Through modifying our standard slip rings, we can offer a solution that suit your application and fulfils your requirement.

Get in touch with us today to learn more about possibilities, as they are endless. We work hard to bring you the very best and quality that will last.

CABLES

- Twisted Cables
- Colour Coded
- Rg Cable For Video

HOLLOW SHAFT

- Size according to requirements
- Packing/sealing

TRANSFER

- EtherCAT
- Profinet
- Powerlink
- Can Bus
- Gigabit Ethernet

HOUSING

- IP-rating of 51 or Higher on request.
- Plastic
- Aluminium
- Stainless steel

PSH LEAD COLOURS

Standard Colour Codes

PSH SERIES

| Standard Colour Codes | | | | | | |
|--|-----------|-----------|----------|-----------|--------------|----------|
| Circuits 1-6 Exit A Red Shrink Tube | 1.RED | 2.YELLOW | 3.BLACK | 4.BLUE | 5.GREEN | 6.WHITE |
| Circuits 7-12 Exit B Black Shrink Tube | 7.PURPLE | 8.GRAY | 9.BROWN | 10.ORANGE | 11.DEEP BLUE | 12.KHAKI |
| Circuits 13-18 Exit C Blue Shrink Tube | 13.RED | 14.YELLOW | 15.BLACK | 16.BLUE | 17.GREEN | 18.WHITE |
| Circuits 19-24 Exit D Green Shrink Tube | 19.PURPLE | 20.GRAY | 21.BROWN | 22.ORANGE | 23.DEEP BLUE | 24.KHAKI |

DISCLAIMER

Colour can mismatch depending on configuration. The colours listed in the table above are standard colour codes, this means that they can change on different models and housing. Please contact Penlink with your PSH model to get correct colour coding.

SIGNALS & BUS

Our standard slip rings comes with signals for data, video and power transmission. Your transmission requirements are key when picking out the right product. Knowing the transmission will enable us to find the right slip ring for your project.

If you can't find a model with the right transmission we can always modify the slip ring for you. This may alter the design of the slip ring so always get in touch with us for more information regarding your model and specification.

DATA CIRCUITS

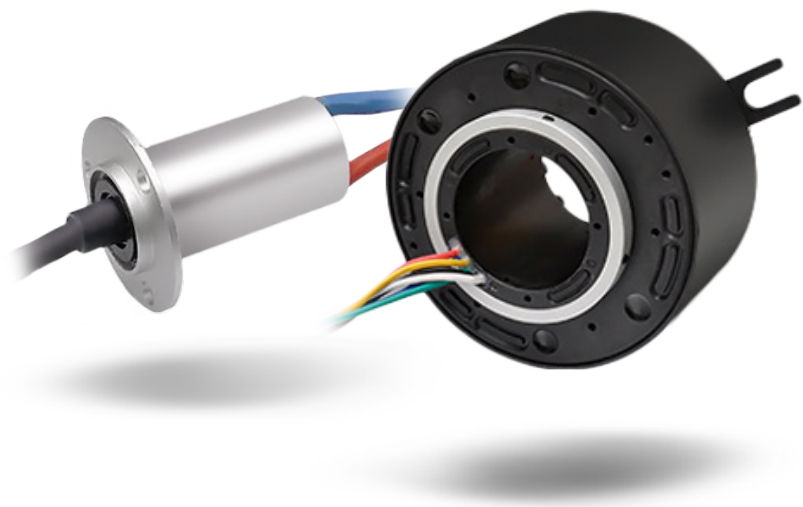
Our slip ring handle up to 1 GB of data (1000Base-X), and can be equipped with different cable to be used for all known industry standard data, as example, Profinet, Can-bus, Profibus, DMX, 100Base-X or similar type. It's even possible to transfer several independent data channels through one slip ring.

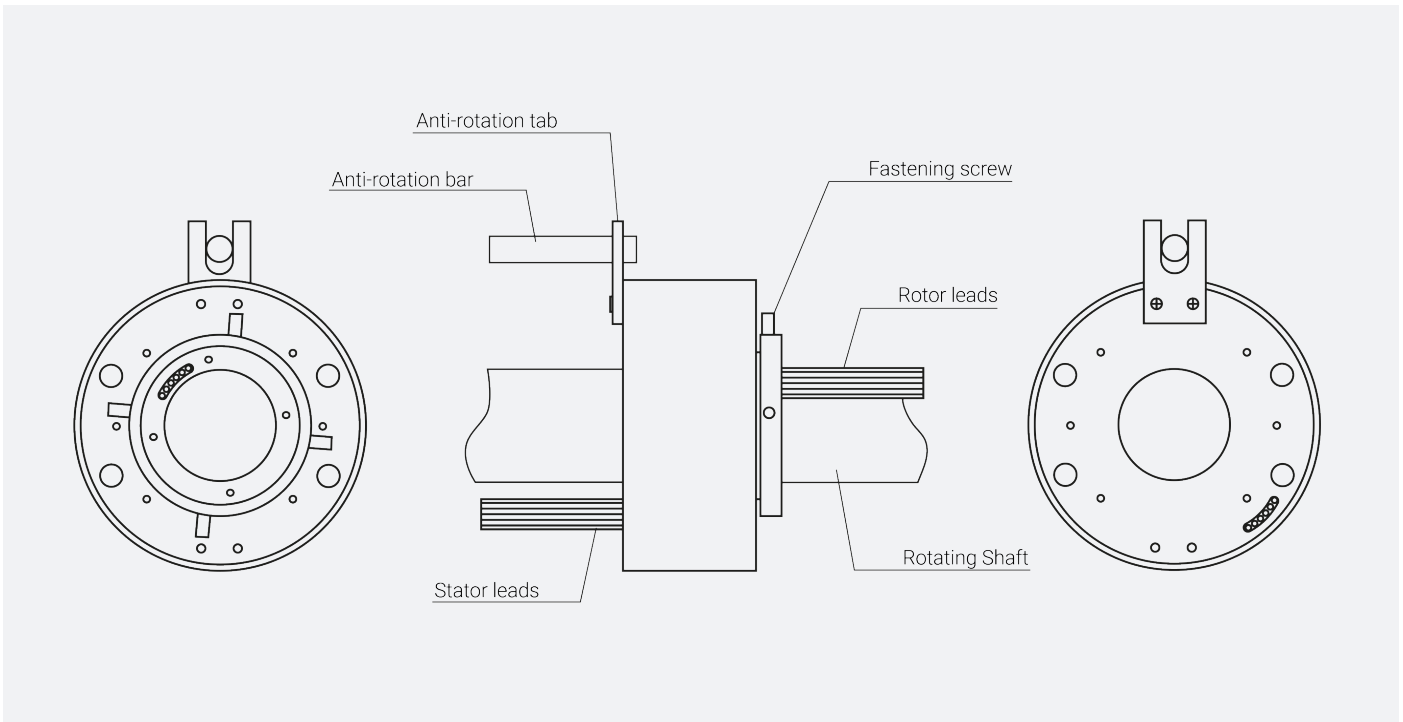
VIDEO SIGNALS

Our slip ring handle both standard and high definition videos, up to SMPTE 424M/2,97 gb/s with 3G HD-SDI. Combined with our optical joint, the slip ring handle up to 24G-SDI.

POWER CIRCUITS

For the compact PSC Series, 2A rings are default, but it can be combined up to 16A depending on your needs and the slip ring configurations. Please contact us for help to specify your slip ring!





IMPORTANT READ BEFORE INSTALLATION

- The slip ring should not be used for load bearing; the cables should not be stressed nor tensed.
- When installing the slip rings, the cables should be well protected.
- The slip ring should be used in dry, low dust environment. If the working environment is harsh, more protection measures should be taken.

For example it should be modified with a higher IP-rating.

Please make sure that rotor and stator are aligned properly, it is recommended to use the four set screws to align it with your best ability. The anti-rotation stop is used on the stator side to stop the slip ring rotating on its own axis.

Our slip rings shall not be forcibly fixed as the inertia is low. When forcibly fixed it can shorten expected lifetime significantly.

Contact us for any questions you have regarding installation if you are unsure.