



PSH-X50 STANDARD HOLLOW SHAFT

Slip rings can be used in any electromechanical system requiring unrestrained, continuous rotation, while transmitting power and/or data from a stationary to a rotating structure. A slip ring is sometimes referred to as a rotary electrical interface, collector, swivel or rotary joint.

The PSH-X Series uses multiple contact point technology, allowing for low contact electric resistance between brushes and ring. This reduces electrical noise and the slip ring gets a longer lifetime. No lubrication required.

We can also offer modified design. As a customer you have the possibility to specify the slip ring to comply with your needs. We can also offer hybrid units, for example a combined slip ring and fiber optic rotary joint, integrated into one small housing. Other options we can offer inclusion of coax and miniature data bus cables, harnessing of lead wires into chosen crimps and connectors.

TECHNICAL SPECIFICATION

Specifications	Power	Signals
Rated Voltage	600VAC	240VAC/VDC
Cable Size	Insulated PVC or PE	AWG22 silver plated, PTFE insulated
Insulation Resistance	$\geq 1000\text{M}\Omega/500\text{VDC}$	$\geq 500\text{M}\Omega/500\text{VDC}$
Number Of Circuits	6-72	
Rated Current	2A, 10A & 15A	
Cable length	Standard 500mm	
Dielectric Strength	500VAC/50Hz, 60s	
Noise	$\leq 10\text{m}\Omega$	
Operation Speed	250 / 500 rpm	
Temperature	-20°C to +80°C	
Contact	Precious metal	
Protection	IP51 or higher on request	

PRODUCT FEATURES

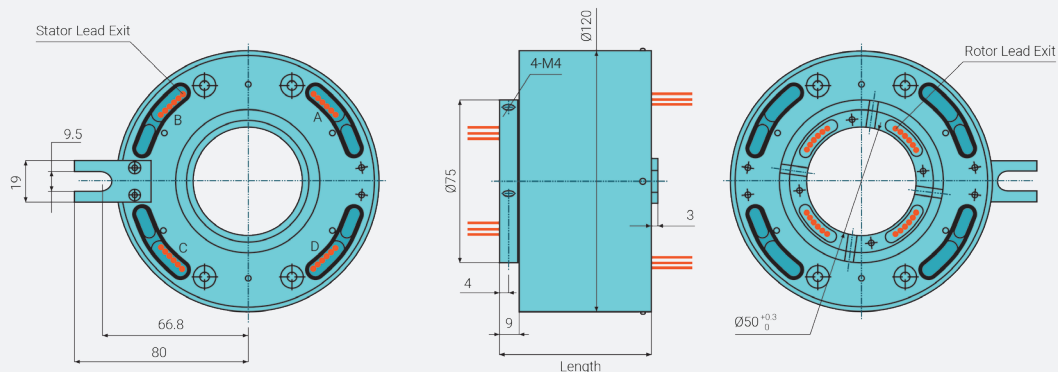
- Quick Delivery
- Low Cost
- Ideal For Video & Digital Signals
- Gold Alloy Rings & Brushes
- High Reliability
- Low Friction Torque
- Smooth Rotation
- In Compliance With Ce & Rohs Standards

APPLICATIONS

- Cable reels
- Medical equipment
- Packaging machines

STANDARD MODEL PSH-X50

OUTLINE DIMENSIONS



Model	No. Of Circuits			Length
	Total	5A	10A/15A	
PSH-X50-6P	6	—	6	70 mm
PSH-X50-12S	12	12	—	70 mm
PSH-X50-12P	12	—	12	100 mm
PSH-X50-6P/12S	18	12	6	100 mm
PSH-X50-24S	24	24	—	100 mm
PSH-X50-18P	18	—	18	130 mm
PSH-X50-12P/12S	24	12	12	130 mm
PSH-X50-6P/24S	30	24	6	130 mm
PSH-X50-36S	36	36	—	130 mm
PSH-X50-24P	24	—	24	160 mm
PSH-X50-18P/12S	30	12	18	160 mm
PSH-X50-12P/24S	36	24	12	160 mm
PSH-X50-6P/36S	42	36	6	160 mm
PSH-X50-48S	48	48	—	160 mm
PSH-X50-30P	30	—	30	190 mm
PSH-X50-24P/12S	36	12	24	190 mm
PSH-X50-18P/24S	42	24	18	190 mm
PSH-X50-12P/36S	48	36	12	190 mm
PSH-X50-6P/48S	54	48	6	190 mm
PSH-X50-60S	60	60	—	190 mm
PSH-X50-36P	36	—	36	220 mm
PSH-X50-30P/12S	42	12	30	220 mm
PSH-X50-24P/24S	48	24	24	220 mm
PSH-X50-18P/36S	54	36	18	220 mm
PSH-X50-12P/48S	60	48	12	220 mm
PSH-X50-6P/60S	66	60	6	220 mm
PSH-X50-72S	72	72	—	220 mm

PSH LEAD COLOURS

Standard Colour Codes

PSH SERIES

Standard Colour Codes						
Circuits 1-6 Exit A Red Shrink Tube	1.RED	2.YELLOW	3.BLACK	4.BLUE	5.GREEN	6.WHITE
Circuits 7-12 Exit B Black Shrink Tube	7.PURPLE	8.GRAY	9.BROWN	10.ORANGE	11.DEEP BLUE	12.KHAKI
Circuits 13-18 Exit C Blue Shrink Tube	13.RED	14.YELLOW	15.BLACK	16.BLUE	17.GREEN	18.WHITE
Circuits 19-24 Exit D Green Shrink Tube	19.PURPLE	20.GRAY	21.BROWN	22.ORANGE	23.DEEP BLUE	24.KHAKI

DISCLAIMER

Colour can mismatch depending on configuration. The colours listed in the table above are standard colour codes, this means that they can change on different models and housing. Please contact Penlink with your PSH model to get correct colour coding.

SIGNALS & BUS

Our standard slip rings comes with signals for data, video and power transmission. Your transmission requirements are key when picking out the right product. Knowing the transmission will enable us to find the right slip ring for your project.

If you can't find a model with the right transmission we can always modify the slip ring for you. This may alter the design of the slip ring so always get in touch with us for more information regarding your model and specification.

DATA CIRCUITS

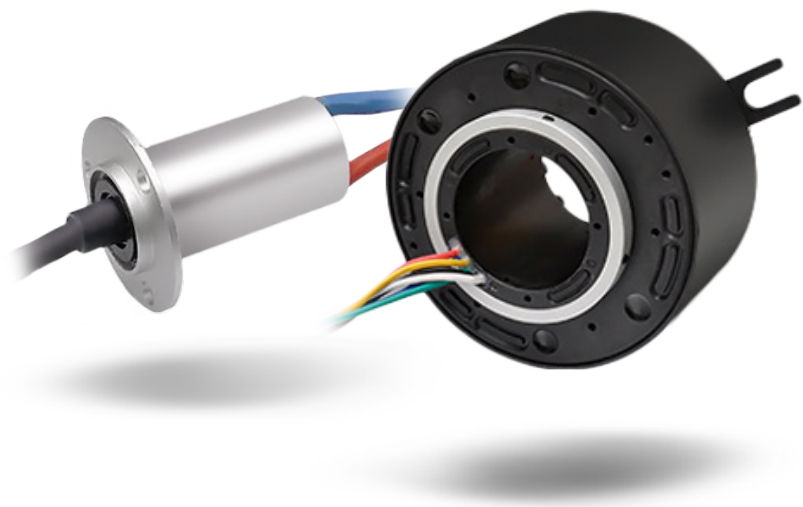
Our slip ring handle up to 1 GB of data (1000Base-X), and can be equipped with different cable to be used for all known industry standard data, as example, Profinet, Can-bus, Profibus, DMX, 100Base-X or similar type. It's even possible to transfer several independent data channels through one slip ring.

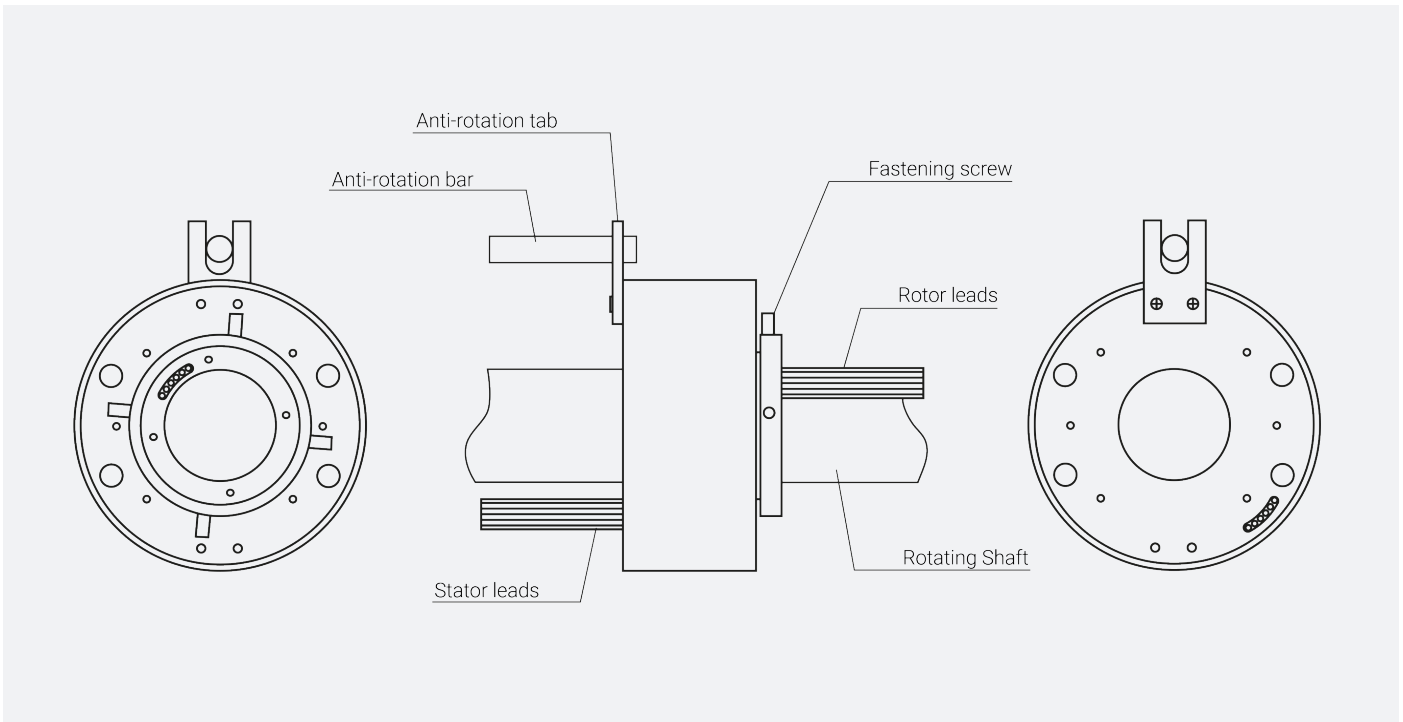
VIDEO SIGNALS

Our slip ring handle both standard and high definition videos, up to SMPTE 424M/2,97 gb/s with 3G HD-SDI. Combined with our optical joint, the slip ring handle up to 24G-SDI.

POWER CIRCUITS

For the compact PSC Series, 2A rings are default, but it can be combined up to 16A depending on your needs and the slip ring configurations. Please contact us for help to specify your slip ring!





IMPORTANT READ BEFORE INSTALLATION

- The slip ring should not be used for load bearing; the cables should not be stressed nor tensed.
- When installing the slip rings, the cables should be well protected.
- The slip ring should be used in dry, low dust environment. If the working environment is harsh, more protection measures should be taken.

For example it should be modified with a higher IP-rating.

Please make sure that rotor and stator are aligned properly, it is recommended to use the four set screws to align it with your best ability. The anti-rotation stop is used on the stator side to stop the slip ring rotating on its own axis.

Our slip rings shall not be forcibly fixed as the inertia is low. When forcibly fixed it can shorten expected lifetime significantly.

Contact us for any questions you have regarding installation if you are unsure.