



PST-X32 STANDARD

The PST X Series is developed initially for the packaging industries and are mostly used by flow pack machines. The slip rings allow high current circuits, combined with signals for sensors, and is suited for high operation speed with a long lifetime. The terminals pins are connected on the slip ring, that allows smooth installation.

PST-X32 has 2 or 3 high currents circuits and can be combined with two circuits for sensors. The PST X32 is also available in an IP65 version suitable to be installed in machines, that needs regular cleaning with water. The PST-X45 Series has 6 power circuits and a model with additional 2 circuits for signals.

Their compact size allows installation into small systems thus requiring high performances.

TECHNICAL SPECIFICATION

Number Of Circuits	2, 3, 4, 5
Voltage	240VDC / 240VAC Max.
Current Rating	14A each, Signal circuit 2A each
Connection	Gold plated Pin connection
Dielectric Strength	500VAC at 50Hz 60S
Insulation Resistance	1000MΩ/500VDC
Noise	≤ 10mΩ
Nominal Speed	0~400rpm (for higher speed, please contact us)
Temperature	-20°C to +80°C (option: -40 to +80°C on AL housing)
Contact	Precious Metals
Protection	IP51 or higher on request

PRODUCT FEATURES

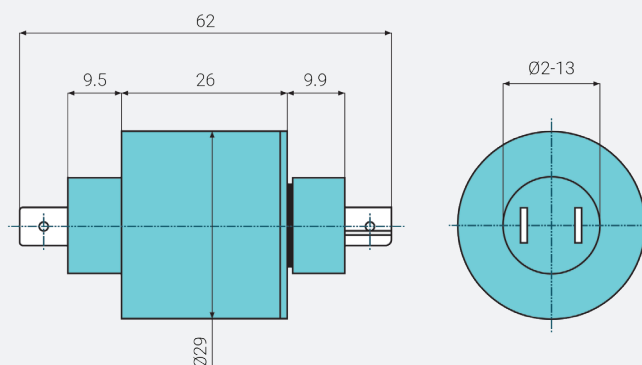
- Quick Delivery
- Low Cost
- Ideal For Video & Digital Signals
- Gold Alloy Rings & Brushes
- High Reliability
- Low Friction Torque
- Smooth Rotation
- In Compliance With Ce & Rohs Standards

APPLICATIONS

- Flow Pack
- Wind Turbine
- Packaging

STANDARD MODEL PST-X32-2

OUTLINE DIMENSIONS



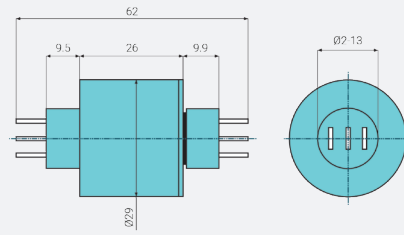
Model	No. Of Circuits			Terminal Dimensions	
	Total	Power	2A	Power	Signal
PST-X32-2 (IP51)	2	2x14A	-	0.8 x 6.3 mm	-
PST-X32-3 (IP51)	3	3x14A	-	0.8 x 6.3 mm	-
PST-X32-4 (IP51)	4	2x14A	2x2A	0.8 x 6.3 mm	0.8 x 2.8 mm
PST-X32-3M (IP65)	3	3x20A	-	0.8 x 6.3 mm	-
PST-X32-5M (IP65)	5	2x20A	3x5A	0.8 x 6.3 mm	0.8 x 2.8 mm



WATER RESISTANCE **IP65**

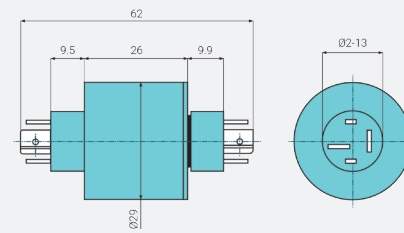
MODEL PST-X32-3

OUTLINE DIMENSIONS



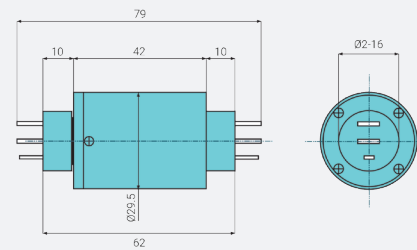
MODEL PST-X32-4

OUTLINE DIMENSIONS



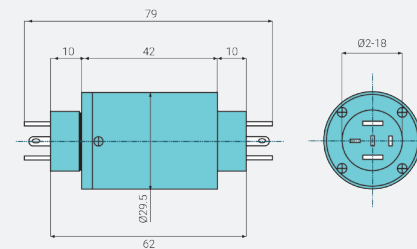
MODEL PST-X32-3M

OUTLINE DIMENSIONS



MODEL PST-X32-5M

OUTLINE DIMENSIONS



PSC LEAD COLOURS

Standard Colour Codes

PSC SERIES

Standard Colour Codes						
PSC-X	1.RED	2.YELLOW	3.BLACK	4.BLUE	5.GREEN	6.WHITE
	7.PURPLE	8.GREY	9.BROWN	10.ORANGE	11.DEEP BLUE	12.KHAKI
	13.WHITE/RED	14.WHITE/BLACK	15.WHITE/BLUE	16.WHITE /PURPLE	17.WHITE/BROWN	18.WHITE/GREEN
	19.WHITE/ORANGE	20.WHITE/YELLOW	21.WHITE/GREY	22.BLACK/RED	23.BLACK/BLUE	24.YELLOW/GREEN
	<i>For slip rings with more than 24 circuits, the colours is repeated, and placed in separate identified shrink tubes. Labels can be added on request.</i>					

DISCLAIMER

Colour can mismatch depending on configuration and cable type. The colours listed in the table above are standard colour codes, this means that they can change on different models and housing. Please contact Penlink with your PSC model for correct colour coding.

SIGNALS & BUS

Our standard slip rings comes with signals for data, video and power transmission. Your transmission requirements are key when picking out the right product. Knowing the transmission will enable us to find the right slip ring for your project.

If you can't find a model with the right transmission we can always modify the slip ring for you. This may alter the design of the slip ring so always get in touch with us for more information regarding your model and specification.

DATA CIRCUITS

Our slip ring handle up to 1 GB of data (1000Base-X), and can be equipped with different cable to be used for all known industry standard data, as example, Profinet, Can-bus, Profibus, DMX, 100Base-X or similar type. It's even possible to transfer several independent data channels through one slip ring.

VIDEO SIGNALS

Our slip ring handle both standard and high definition videos, up to SMPTE 424M/2,97 gb/s with 3G HD-SDI. Combined with our optical joint, the slip ring handle up to 24G-SDI.

POWER CIRCUITS

For the compact PSC Series, 2A rings are default, but it can be combined up to 16A depending on your needs and the slip ring configurations. Please contact us for help to specify your slip ring!

